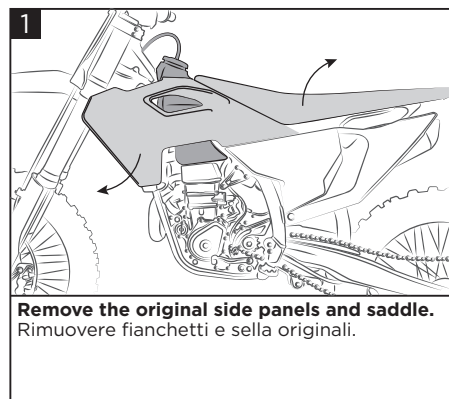
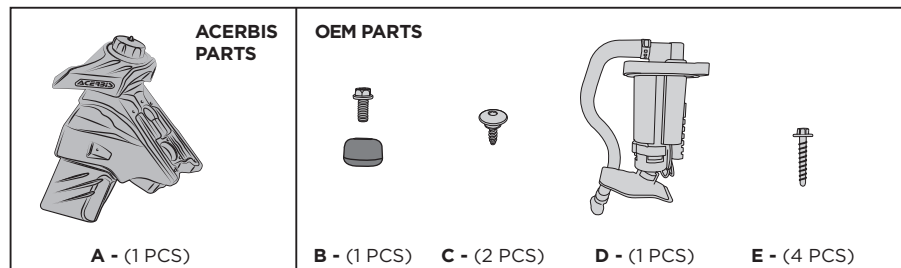


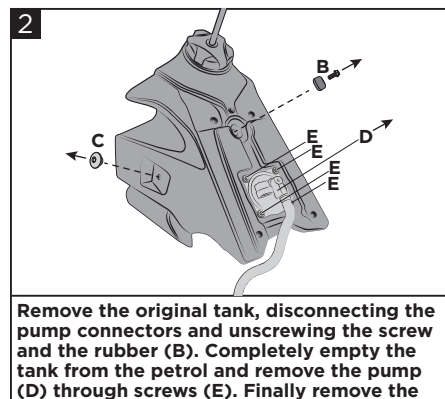
FUEL TANK HUSQVARNA 11/14L FE/TE 2024

SERBATOIO HUSQVARNA 11/14L FE/TE 2024

COD. 500009217 REV.1

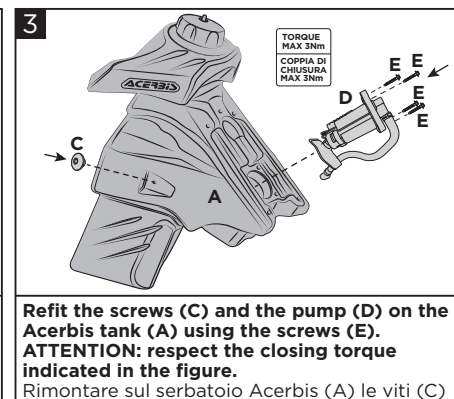


Remove the original side panels and saddle.
Rimuovere fianchetti e sella originali.



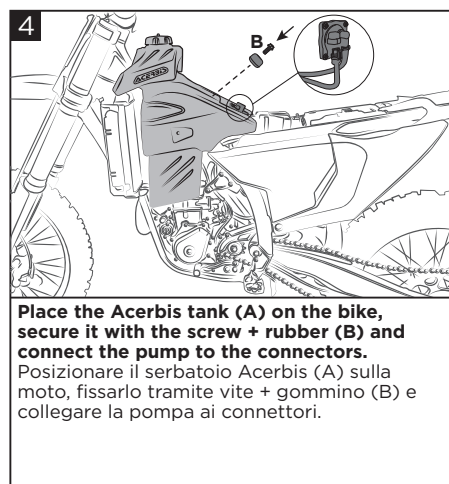
Remove the original tank, disconnecting the pump connectors and unscrewing the screw and the rubber (B). Completely empty the tank from the petrol and remove the pump (D) through screws (E). Finally remove the screws (C).

Rimuovere il serbatoio originale, scollegando i connettori pompa e svitando la vite e ed il gommino (B). Svuotare completamente la benzina e rimuovere la pompa (D) tramite le viti (E). Infine rimuovere le viti a fungo (C).

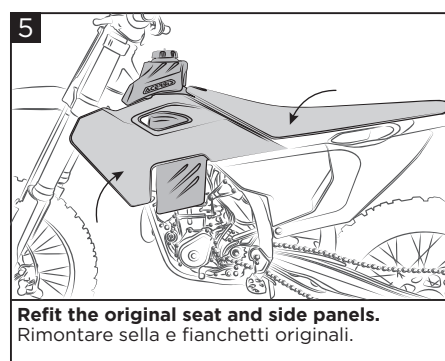


Refit the screws (C) and the pump (D) on the Acerbis tank (A) using the screws (E). ATTENTION: respect the closing torque indicated in the figure.

Rimontare sul serbatoio Acerbis (A) le viti (C) e la pompa (D) tramite le viti (E). ATTENZIONE: rispettare coppia di chiusura indicata in figura.



Place the Acerbis tank (A) on the bike, secure it with the screw + rubber (B) and connect the pump to the connectors.
Posizionare il serbatoio Acerbis (A) sulla moto, fissarlo tramite vite + gommino (B) e collegare la pompa ai connettori.



Refit the original seat and side panels.
Rimontare sella e fianchetti originali.

DISCLAIMER

Due to uncontrolled variables in the manufacturing process of rotational molded fuel tanks, the fuel tank may vary in size and shape by up to 7% of the manufacturer's original listed capacity.

LIBERATORIA

A causa di variabili inponderabili nel processo di stampaggio rotazionale dei serbatoi, questi possono differire in forma e dimensioni fino al 7% rispetto alla capacità dichiarata.

FOR COMPETITION USE ONLY - SOLO PER USO MOTOCICLISTICO

WARNING!

It is EXTREMELY IMPORTANT that the fuel tank is properly installed. To ensure proper installation, it is STRONGLY RECOMMENDED that the tank is installed only by a qualified OEM licensed dealership mechanic. Improper installation could result in serious injuries or death.

If self-installed NOTE THE FOLLOWING: particular attention must be paid to excessive fuel line length and fuel line proximity to hot engine areas and pipes to prevent fire.

Clean tank interior thoroughly before installation. Install this fuel tank only in a well ventilated area, as gasoline fumes are extremely dangerous. Do not start or operate the vehicle if there are any fuel leaks! Read all instructions first before beginning installation.

EUROPE

ACERBIS ITALIA S.P.A.
VIA SERIO, 37
24021 ALBINO (BG)
ITALY

U.S.A.

ACERBIS U.S.A. INC.
MAIL P.O. BOX 2030
SUN VALLEY, ID 83353
SHIP 110 LINDAY CIRCLE
KETCHUM, ID 83340
U.S.A.

UNITED KINGDOM

ACERBIS U.K LTD
UNIT 4 DUNFERMLINE COURT,
KINGSTON, MILTON KEYNES
MK10 0BY
GREAT BRITAIN